

S.W.A.T

World Leader in Supplying
S.W.A.T Equipment and Training

TROOP CARRIER

TA01057



*Image is for illustration purposes only

PRODUCT DESCRIPTION

Make & Model:

- Dodge RAM 5500 4X4 – factory new.
- Armor design can easily be adjusted to any similar platform upon client's request.

Measurements:

- Length – 5.240m; Width - 2.200m; Height - 2.510m
- Wheelbase – 3.140m

ONE STOP SHOP

CONTACT US

☎ +972.3.691.4564 📠 +972.3.691.4567 @ tar@tarideal.com 🌐 www.tarideal.com
📍 20 Zvi Bergman St. Petah Tikva, 4927976, Israel

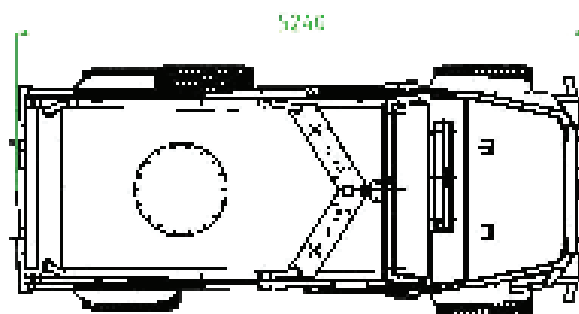
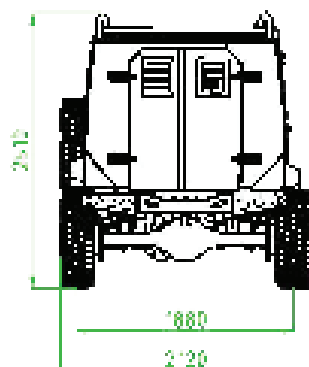
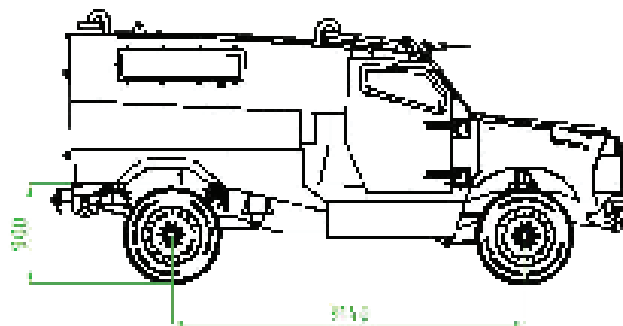
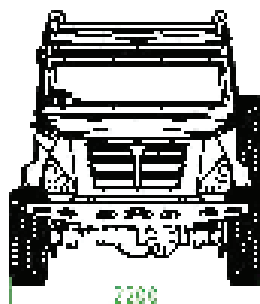
S.W.A.T

World Leader in Supplying
S.W.A.T Equipment and Training



GENERAL INFO

- Combat version – up to 7 troops + driver (total 8).
- Optional extended version that can carry 12 troops.
- Optional CRWS - Controlled Remote Weapon Station.
- Includes 4 innovative G5 gun ports.
- May be equipped with guided missiles systems.
- May be equipped with long range observation systems.
- Platform can easily be adapted for different applications.



ONE STOP SHOP

CONTACT US

+972.3.691.4564 +972.3.691.4567 @ tar@tarideal.com www.tarideal.com
20 Zvi Bergman St. Petah Tikva, 4927976, Israel

S.W.A.T

World Leader in Supplying
S.W.A.T Equipment and Training



ARMOR

- Innovative model of armor designed to provide full protection from assault rifles & explosives at close range.
- Provides passengers complete protection from all directions.

PROTECTIVE AREAS

- Side wall armor system - walls are based on special armored steel with an air gap.
- Floor V shape armor – increases protection from underbelly explosive charges up to 2KG.
- Optional underbelly armor against 6KG charges.
- Roof armor – the roof is armored with armored steel (option for double layered).
- All hatches are fully overlapped for better bullet deflection capability.
- Armored engine compartment - option.
- Armor based on steel combined with composite special steel.

RUN FLAT SYSTEM (OPTIONAL)

- Vehicle is fitted with run-flat system (including a spare tire).
- Allows a run/drive distance of approximately 100km after puncture.
- All 5 tires (including spare wheel) adjusted in case of additional weight.

GS GUN PORT

- Enables immediate firing from inside the vehicle during an attack.
- Can be used for fire support during vehicle dismounting.
- Assures that there is no firearm discharge inside the vehicle and enemy fire cannot penetrate (armored even when hatch is opened).
- Optimized accuracy GS gun port allows firing while vehicle is in motion.
- Always locked and secure.
- One hand operation capability.
- Fitted for most assault rifles (M16, AK47, and TAVOR).



ONE STOP SHOP

CONTACT US

+972.3.691.4564 +972.3.691.4567 @ tar@tarideal.com www.tarideal.com
20 Zvi Bergman St. Petah Tikva, 4927976, Israel

S.W.A.T

World Leader in Supplying
S.W.A.T Equipment and Training



VEHICLE COMPONENTS

- Powerful 6.7 L Cummins engine with Allison transmission.
- High suspension travel rate front 10" & Rear 12" – provides vehicle nearly permanent ground contact, enabling it to move fast in harsh terrain.
- Strong, robust axles with high off-road capabilities provide the vehicle a lower center of gravity than independent suspension for better hill climbing capacity.
- Wide tire: 37"X12.5" R19 - excellent for sand/mud.
- Roll cage—vehicle is equipped with an integral armor roll cage.
- Rear air suspensions.
- 4 "FOX" shock absorbers.

ONE STOP SHOP

CONTACT US

+972.3.691.4564 +972.3.691.4567 @ tar@tarideal.com www.tarideal.com
20 Zvi Bergman St. Petah Tikva, 4927976, Israel

S.W.A.T

World Leader in Supplying
S.W.A.T Equipment and Training



BALLISTIC SPECIFICATIONS

These options present the actual armoring level today – can be upgraded to 0.5”.

Class (N.I.J. 0108.01)	Type of Weapon	Caliber	Bullet			Test condition	
			Type	Mass (grains / g)		Test range(m)	Bullet velocity(m/s)
I	hand gun	22 LR .38 SP	RN/L RN/L	40 158	2,6 10,2	5	320 +/-12 259 +/-15
IIA	hand gun	9 mm Luger .357 Mag	FMJ JSP	124 158	8,0 10.2	5	332 +/-12 381 +/-15
II	hand gun	9 mm Luger .357 Mag	FMJ JSP	124 158	8,0 10.2	5	385 +/-12 425 +/-15
IIIA	hand gun	9 mm .44 Mag	FMJ Lead SWC gas	124 240	8,0 15,5	5	426 +/-15
III	rifle 7,62 308 Winchester	7,62 x 51	7,62 .308 FMJ	150	9,7	15	838 +/-15
IV	rifle M14	7,62 x 63	30.06 AP	166	10,8	15	868 +/-15
AP	Armour Piercing						
L	lead						
CB	coned bullet						
FMJ	full metal jacket bullet flat nose bullet						
FN	steel hard core, mass (3,7 +/-0,1 g) hardness more than 63 HRC						
HC1 PB	pointed bullet						
RN	round nose bullet						
SC	soft core (lead)						
SCP1	soft core (lead) with steel penetrator (type SS109)						
SWC	semi wadcutter						
JSP	Jacket Soft Point						
Multi hit requirement	Stopped penetrations: Level I up to III 5 hits to be stopped per specimen, level IV 1 hit per specimen						

ONE STOP SHOP

CONTACT US

+972.3.691.4564 +972.3.691.4567 @ tar@tarideal.com www.tarideal.com
20 Zvi Bergman St. Petah Tikva, 4927976, Israel